

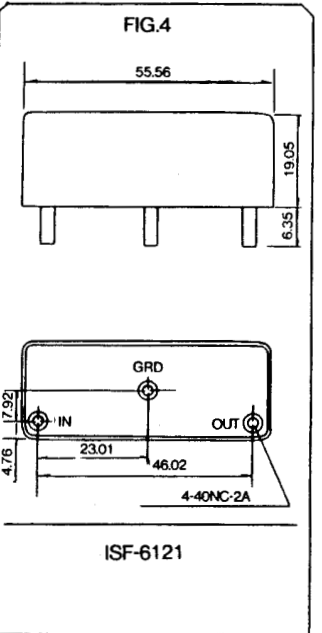
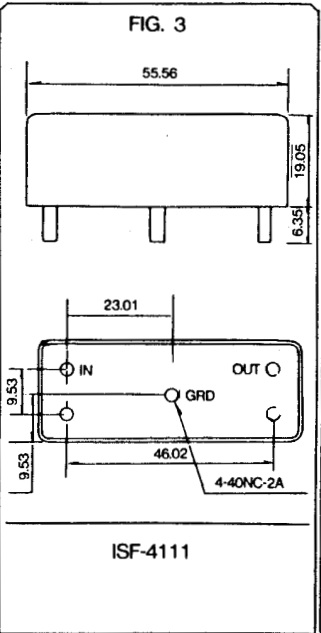
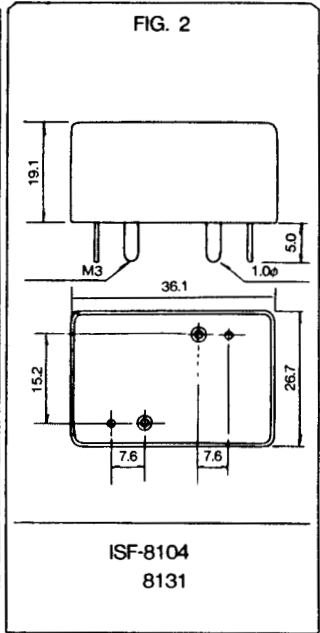
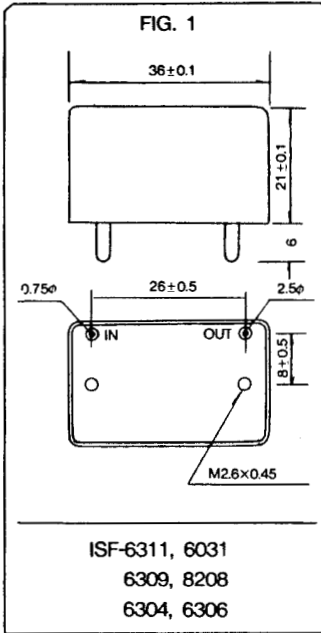


BREL INTERNATIONAL COMPONENTS

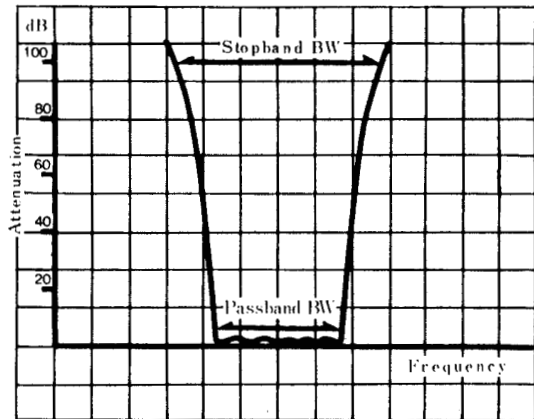
1621 WEST UNIVERSITY PARKWAY, SARASOTA, FL 34243
 SALES: (800) 237-4564 PHONE: (941) 355-9791 FAX: (941) 355-1530

CRYSTAL FILTERS - GENERAL USE, FM AND SSB

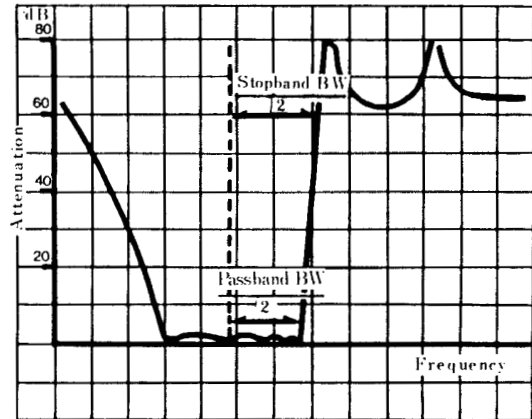
Model No.	Center Frequency MHz	Passband Width dB KHz	Stopband Width dB KHz	Insertion Loss dB (Max)	Ripple dB (Max)	Case LxWxH (mm)	Operating Temperature (°C)	Terminating Impedance ohm/pF
ISF-2113	60KHz	0.2dB 10Hz	20dB 40dB ±150Hz±600Hz	3	0.2	130×80×20	0-40	75
ISF-2115	100KHz	3dB 30Hz	40dB ±300Hz	6	1.0	90×50×45	0-40	5K//10pF
ISF-2117	104.08 KHz	0.5dB 6Hz	3.5dB ±300Hz	10	1.0	130×80×20	0-40	75
ISF-6114	455KHz	6dB 600Hz	60dB ±800Hz	9	2	64×24×22	-10-+50	5K//50pF
ISF-8113	445KHz	6dB 2.4KHz	66dB ±2.1KHz	6	2	64×24×22	-10-+50	5K//40pF
ISF-8205	1.54MHz	6dB ±150Hz	60dB ±300Hz	4	1	65.8×25.2×58.2	-30-+50	50
ISF-8211	1.75	2dB +1.7535KHz -1.7503KHz	60dB +1.7545KHz -1.7497KHz	6	1.5	95×58×27	-40-+80	200//15pF 190//80pF
ISF-6048	4.287	0.4dB ±0.2	3dB 40dB ±0.4 ±4	3	0.2	50×38×46	+0-+50	75 1000
ISF-6311	5.735	6dB 2.4KHz	26dB 60dB ±1.7 ±2.2	4	2	36×22×21	-20-+50	500
ISF-6031	7.8	6dB ±2.1	18dB 60dB ±2.5 ±4.3	4	2	36×22×20	-20-×50	600 150
ISF-6309	7.8	6dB ±1.2	18dB 60dB ±1.5 ±2.5	4	2	36×22×20	-20-+50	600
ISF-8208	9.0	6dB ±1.2KHz	(60/6) 1.8	3	2	36×22-20	-30-+60	1.2K//30pF
ISF-6304	9.785	6dB ±2.1	18dB 60dB ±2.5 ±4.3	4	2	36×22-20	-2-+50	400//20pF
ISF-6308	10.6935	6dB ±1.2	15dB 50dB ±1.5 ±2.3	3.5	2	36×22×20	-20-+50	600//20pF
ISF-8104	10.7	3dB ±3.75	70dB 90dB ±8.75 ±12.5	4.5	2	36.1×26.7×19.1	-40-+80	470//25pF
ISF-8112	10.7	3dB ±6	75dB 80dB ±12.5 ±15	3.5	2	55×20×22	-20-+60	1K//10pF
ISF-8131	10.7	3dB ±7.5	70dB 90dB ±17.5 ±25	3.5	2	36.1×26.7×19.1	-40-+80	910/25pF
ISF-8107	10.7	3dB ±1.2	25dB 60dB ±1.5 ±2.0	3	2	36×23×23	-20-+50	500
ISF-8127	10.7	3dB ±3.75	70dB 90dB ±8.75 ±12.5	4.5	2	36×23×23	-40-+80	910//25pF
ISF-8132	10.7	3dB ±15	70dB 90dB ±35 ±50	4.5	2	55×20-22	-40-+80	910/25pF
ISF-2112	10.7	3dB ±15	30dB ±36	1.5	2	36×22×20	-40-+80	5K
ISF-8181	11.5	3dB ±1.2	25dB 80dB ±1.5 ±2.0	3	2	36-23-23	-20-+50	500
ISF-6121	11.5	6dB ±16.5	50dB 70dB ±40 ±50	5	0.5	55.5×25.4×19.1	-40-+85	50
ISF-4111	11.5	2dB ±16.5	10dB 36dB ±40 ±200	4	0.5	55.5×19.1×19.1	-40-+85	50
ISF-6307	12.7	3dB +3.0KHz	60dB -4.75KHz	5	2	58.4×19×19	-30-+50	150//70pF 3K//7pF
ISF-8208	25	6dB ±7.5	70dB 80dB ±17.5 ±20	5	2	55×20×22	-30-+60	570
ISF-6403	43.5	6dB ±3.5	60dB ±12	5	2	58×20×17	-2-+70	900



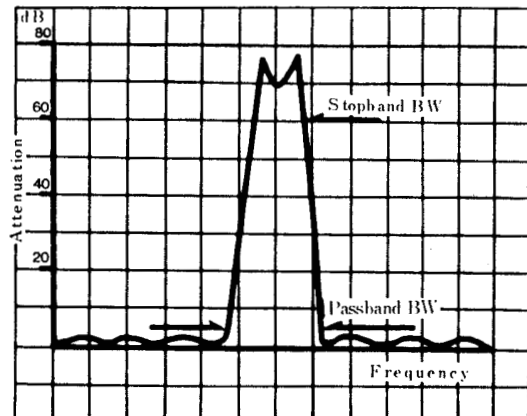
•Bandpass with infinite att. poles



•Asymmetrical Bandpass



•Band stop



•Bandpass with finite att. poles

