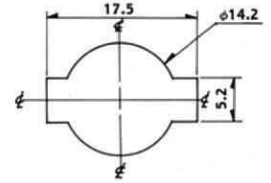
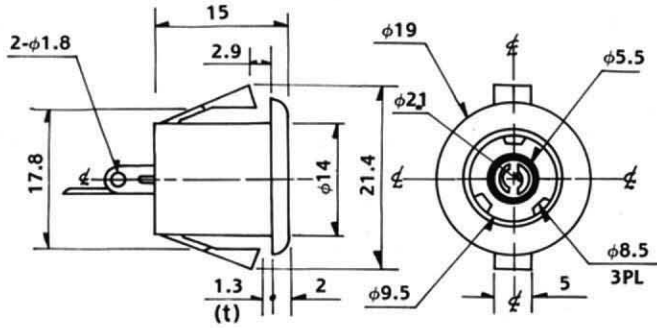
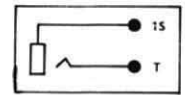


# RF CONNECTOR AND POWER JACK

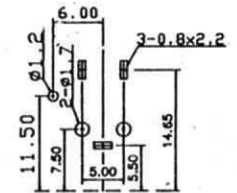
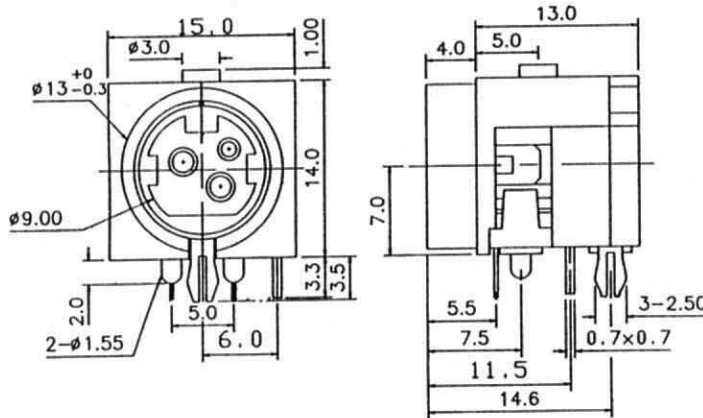
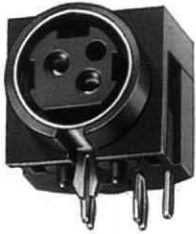
## LB-3004 (t1.3)



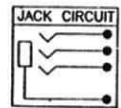
MOUNTING HOLE



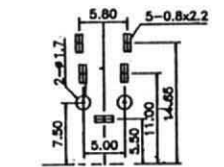
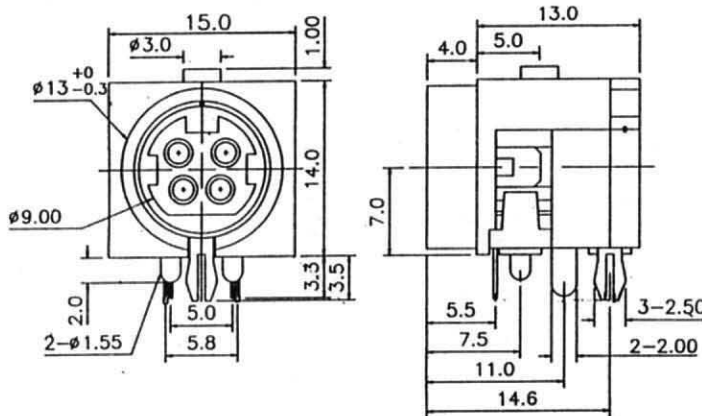
## LA-2004-3



P.C.B. LAYOUT (BOTTOM VIEW)



## LA-2004-4



P.C.B. LAYOUT (BOTTOM VIEW)

