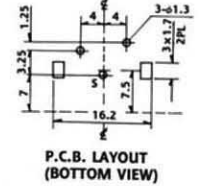
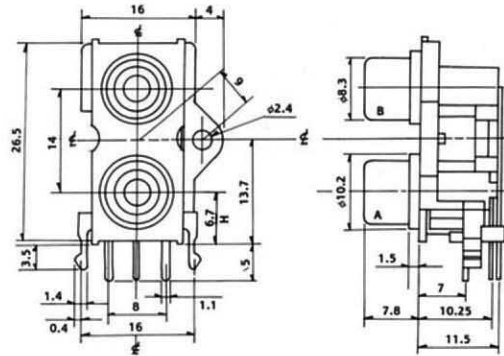


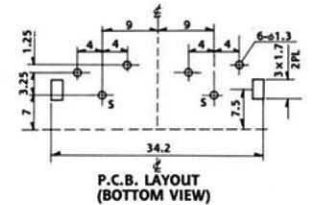
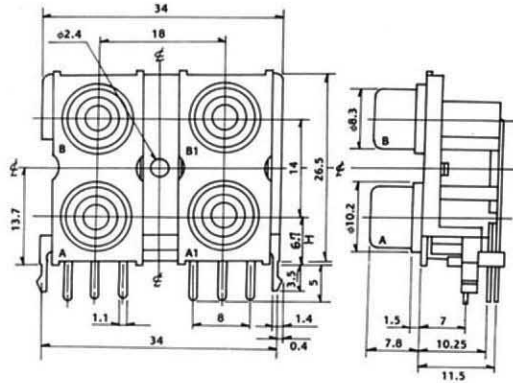
# R C A JACK

**LPA0860 2P/14**  
**LPA0860B (180°)**  
**LPA0860S WIRE SOLDERING**



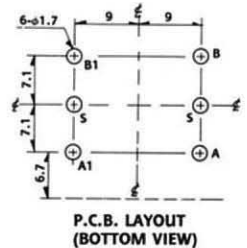
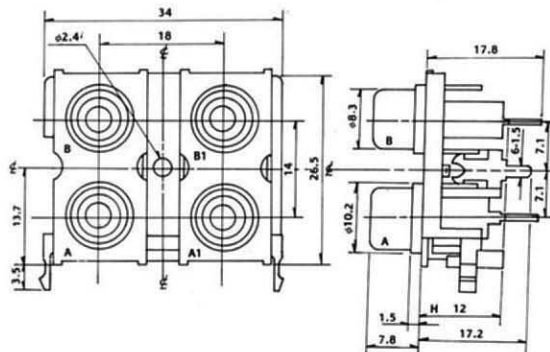
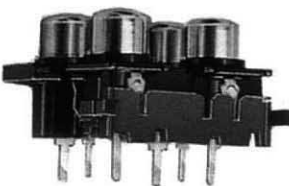
CIRCUIT	MODEL NO.	COLOR	
		A	B
1	-302-213	RED	WHITE
2	-302-200	BLACK	BLACK
	-302-210	RED	BLACK
	-302-231	WHITE	RED

**LPA0861 4P 14/18**



CIRCUIT	MODEL NO.	COLOR			
		A	B	A1	B1
1	-302-213	RED	WHITE		
2	-302-200	BLACK	BLACK		
	-302-210	RED	BLACK		
	-302-231	WHITE	RED		
	-302-280	RED	WHITE	YELLOW	BLACK

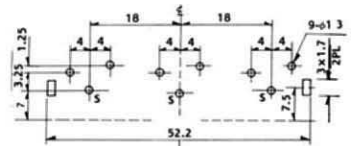
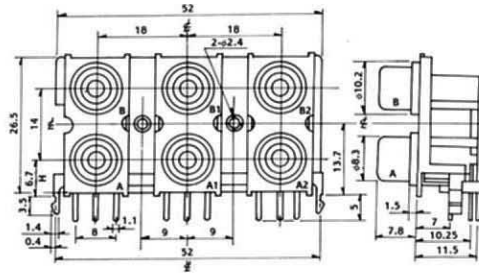
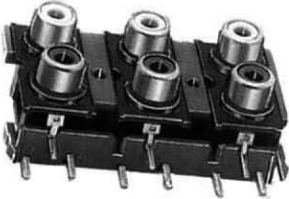
**LPA0861B (H12) 4P 14/18**  
**LPA0861S WIRE SOLDERING**



CIRCUIT	MODEL NO.	COLOR			
		A	B	A1	B1
1	-302-213	RED	WHITE		
2	-302-200	BLACK	BLACK		
	-302-210	RED	BLACK		
	-302-231	WHITE	RED		
	-302-280	RED	WHITE	YELLOW	BLACK

# RCA JACK

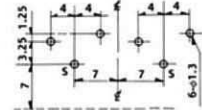
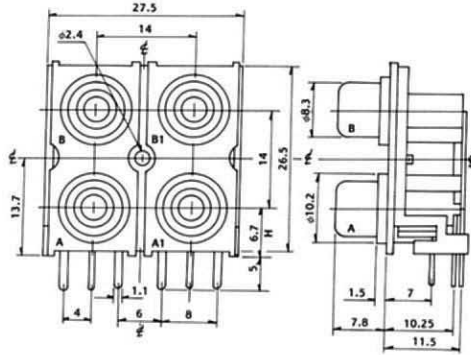
**LPA0862 6P 14/18**  
**LPA0862B (180°)**  
**LPA0862S WIRE SOLDERING**



P.C.B. LAYOUT  
(BOTTOM VIEW)

CIRCUIT	MODEL NO.	COLOR					
		A	B	A1	B1	A2	B2
●	-302-213	RED	WHITE				
●	-302-200	BLACK	BLACK				
●	-302-210	RED	BLACK				
●	-302-231	WHITE	RED				
●	-302-281	RED	RED	WHITE	WHITE	YELLOW	YELLOW

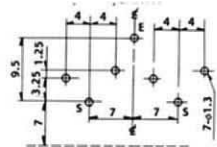
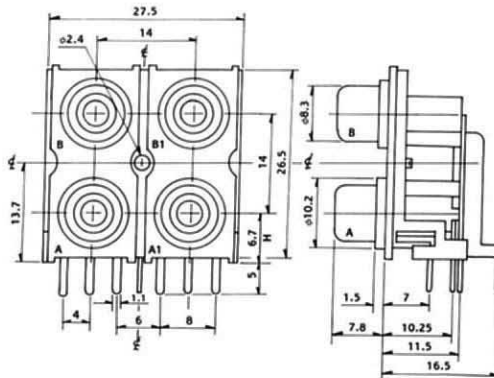
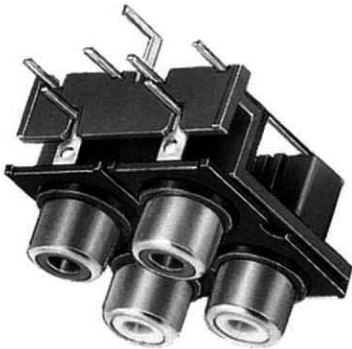
**LPA0863 4P 14/14**



P.C.B. LAYOUT  
(BOTTOM VIEW)

CIRCUIT	MODEL NO.	COLOR			
		A	B	A1	B1
●	-302-213	RED	WHITE		
●	-302-200	BLACK	BLACK		
●	-302-210	RED	BLACK		
●	-302-231	WHITE	RED		
●	-302-280	RED	WHITE	YELLOW	BLACK

**LPA0863A 4P 14/14 W/EARTH**

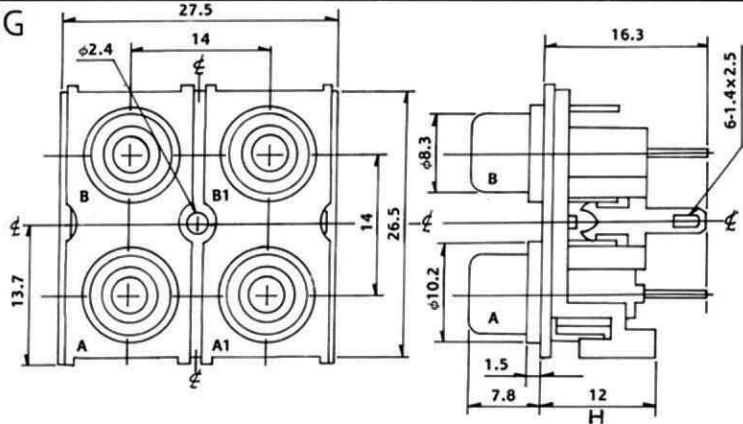
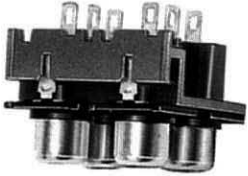


P.C.B. LAYOUT  
(BOTTOM VIEW)

CIRCUIT	MODEL NO.	COLOR			
		A	B	A1	B1
●	-302-213	RED	WHITE		
●	-302-200	BLACK	BLACK		
●	-302-210	RED	BLACK		
●	-302-231	WHITE	RED		
●	-302-280	RED	WHITE	YELLOW	BLACK

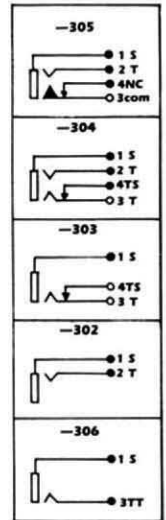
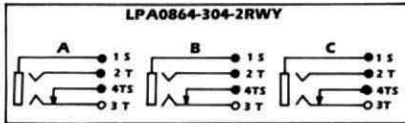
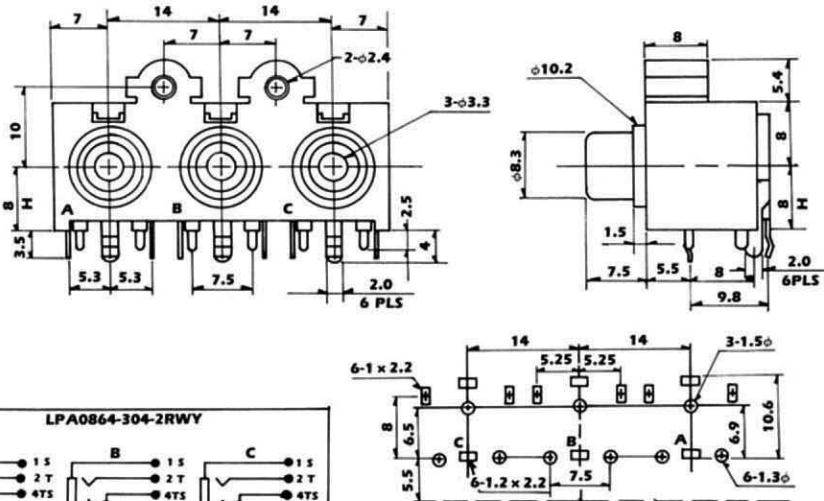
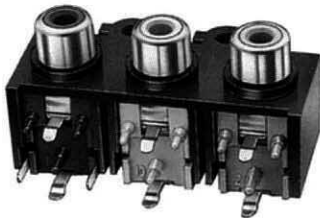
# R C A JACK

**LPA0863S** 4P 14/14 WIRE SOLDERING  
**LPA0863B** (180°)



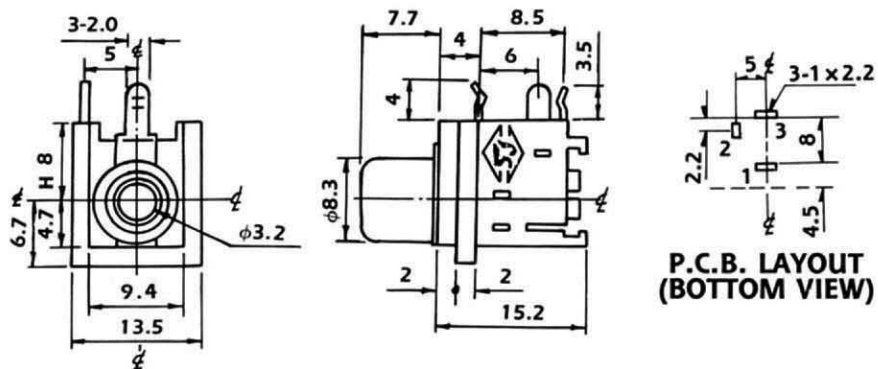
CIRCUIT	MODEL NO.	COLOR			
		A	B	A1	B1
	-302-213	RED	WHITE		
	-302-200	BLACK	BLACK		
	-302-210	RED	BLACK		
	-302-231	WHITE	RED		
	-302-280	RED	WHITE	YELLOW	BLACK

**LPA0864**

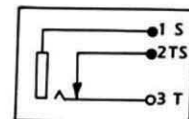


**P.C.B LAYOUT (BOTTOM VIEW)**

**LP-0834**

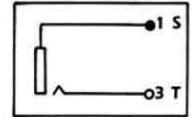
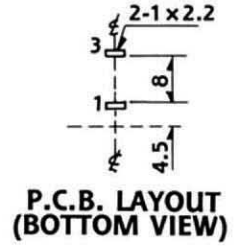
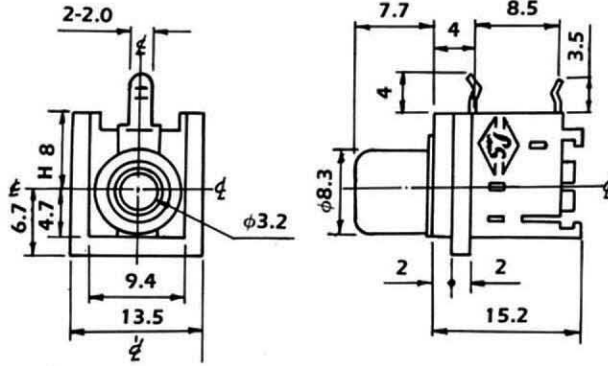


**P.C.B. LAYOUT (BOTTOM VIEW)**

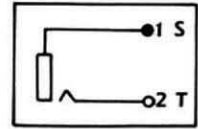
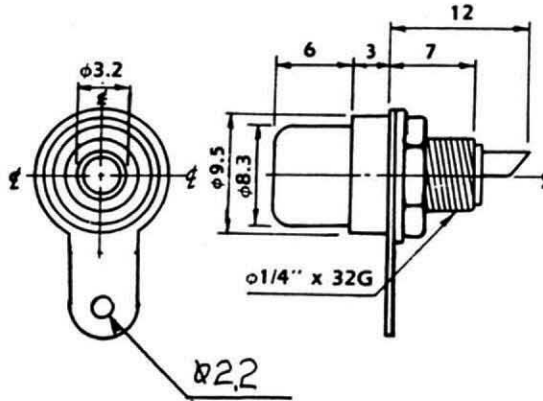


## RCA JACK

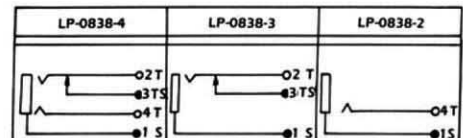
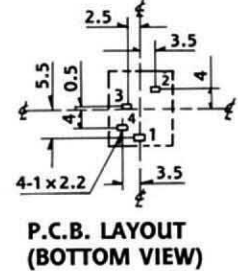
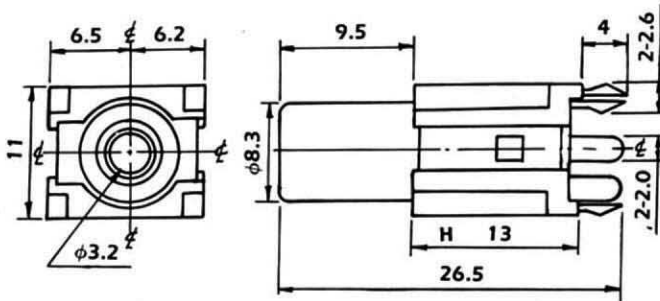
### LP-0835



### LP-0837

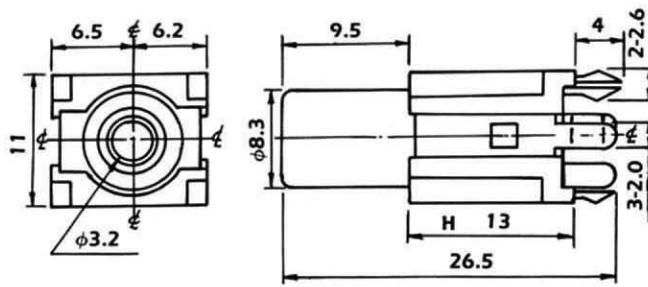


### LP-0838

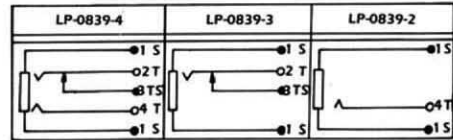


## R C A JACK

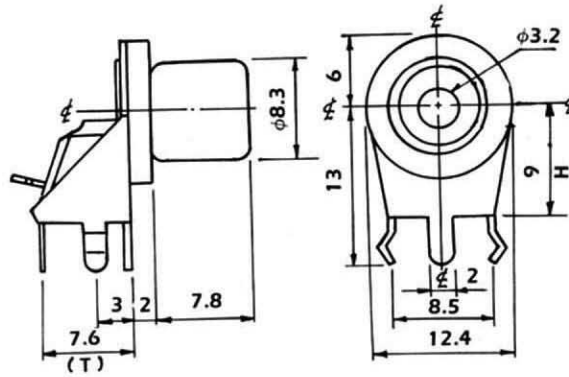
### LP-0839



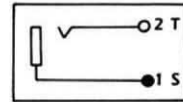
**P.C.B. LAYOUT  
(BOTTOM VIEW)**



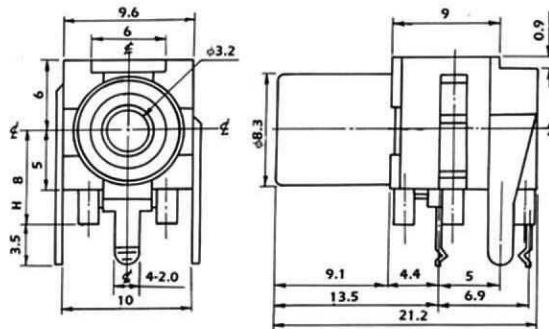
### LP-0840



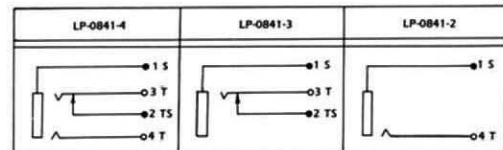
**P.C.B. LAYOUT  
(BOTTOM VIEW)**



### LP-0841

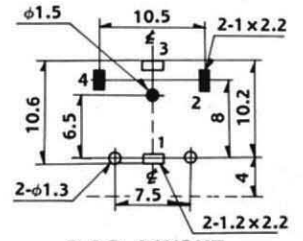
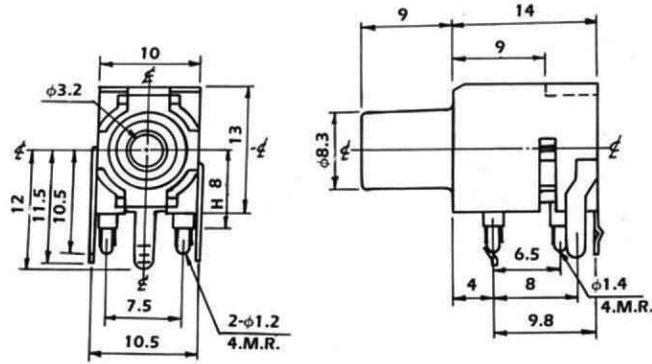


**P.C.B. LAYOUT  
(BOTTOM VIEW)**



## R C A JACK

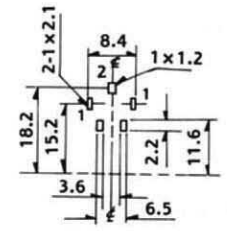
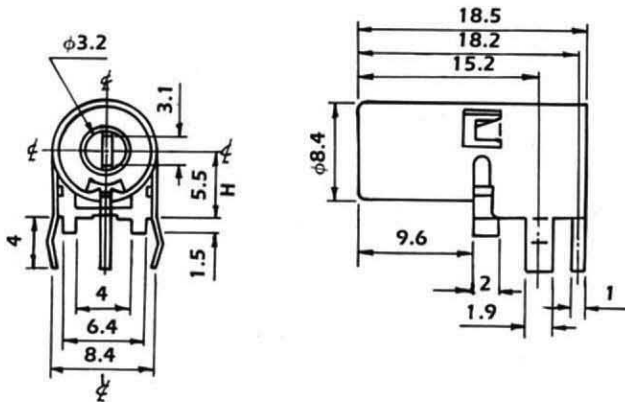
### LP-0843



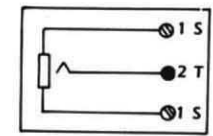
**P.C.B. LAYOUT  
(BOTTOM VIEW)**

LP-0843-5	LP-0843-4	LP-0843-3	LP-0843-2

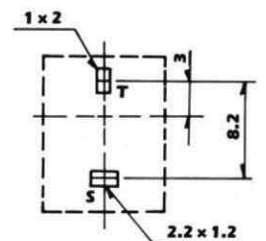
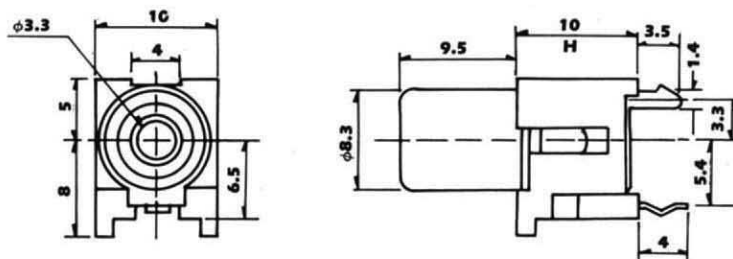
### LP-0844



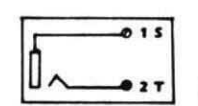
**P.C.B. LAYOUT  
(BOTTOM VIEW)**



### LP-0848

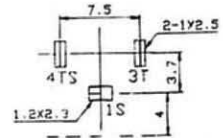
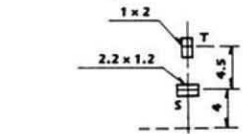
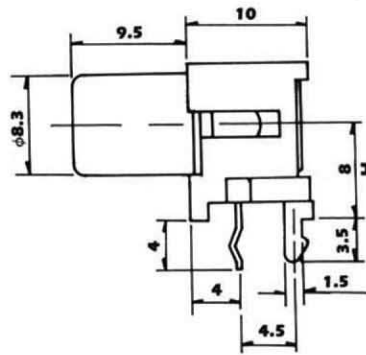
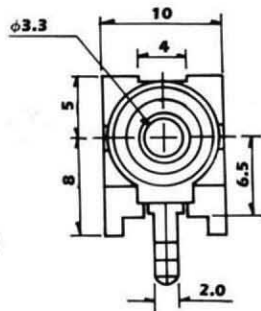
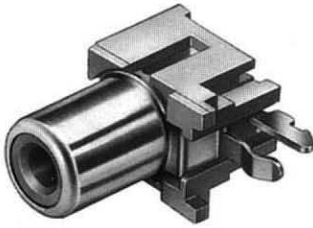


**P.C.B. LAYOUT  
(BOTTOM VIEW)**

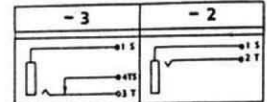


## RCA JACK

**LP-0848A**

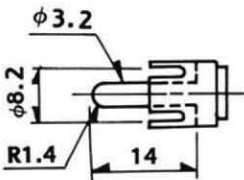


**P.C.B. LAYOUT  
(BOTTOM VIEW)**



**MATING PLUG**

## R C A JACK

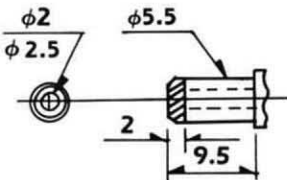


### REQUIREMENTS

- CONTACT RESISTANCE: 30mΩ max. (INITIAL)
- INSULATION RESISTANCE: 100MΩ min. AT 500V DC.
- WITHSTANDING VOLTAGE: 500V AC FOR ONE MINUTE.
- SOLDERING HEAT TEST: 260±5°C FOR 5±1 SECONDS.
- INSERTION FORCE: 0.3-3.0 KG.
- EXTRACTION FORCE: 0.3-3.0 KG.
- LIFE TIME: 5,000 CYCLES min.

**MATING PLUG**

## DC POWER JACK



### REQUIREMENTS

- CONTACT RESISTANCE: 30mΩ max. (INITIAL)
- INSULATION RESISTANCE: 100MΩ min. AT 500V DC.
- WITHSTANDING VOLTAGE: 500V AC FOR ONE MINUTE.
- SOLDERING HEAT TEST: 260±5°C FOR 5±1 SECONDS.
- INSERTION FORCE: 0.3-2.0 KG.
- EXTRACTION FORCE: 0.3-2.0 KG.
- LIFE TIME: 5,000 CYCLES min.