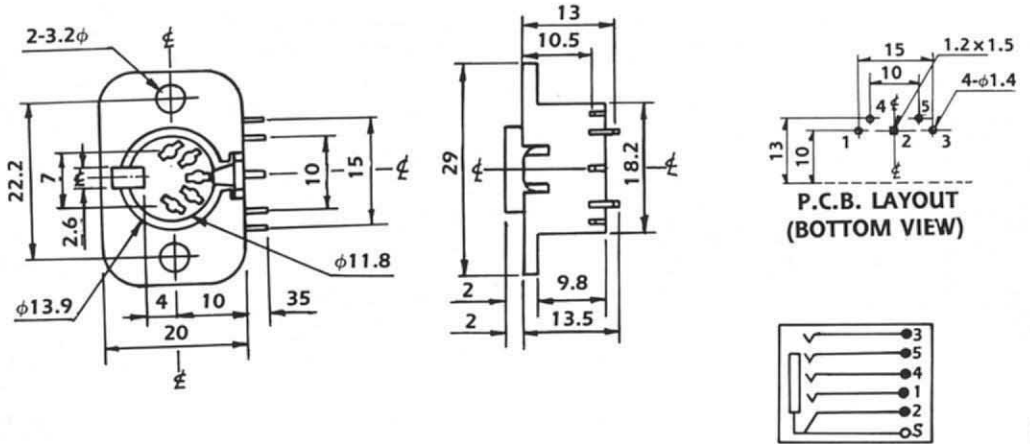
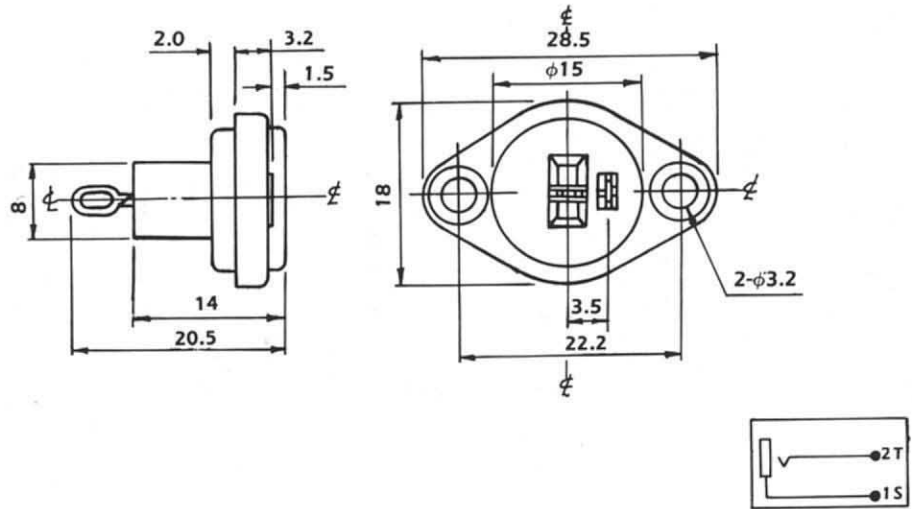


## DIN JACK

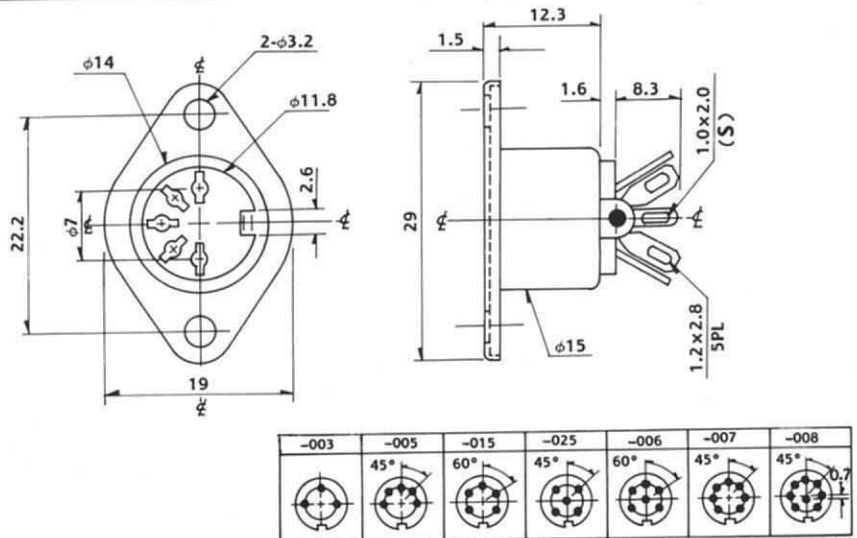
### LN-0502



### LN-0504

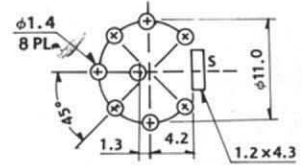
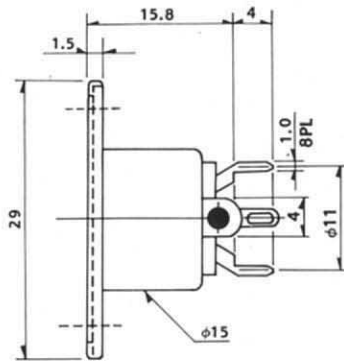
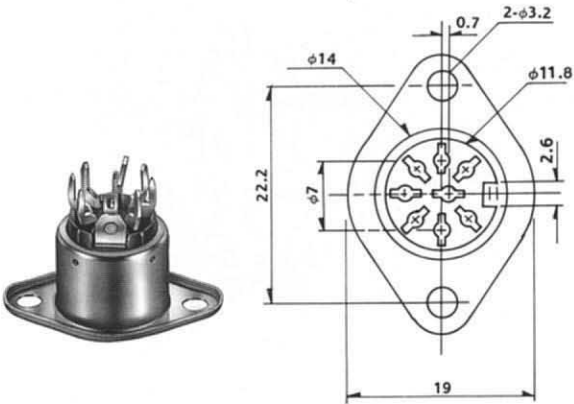


### LN-0505



## DIN JACK

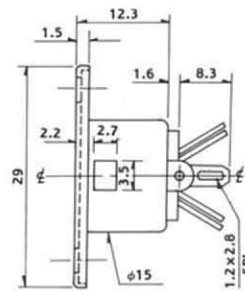
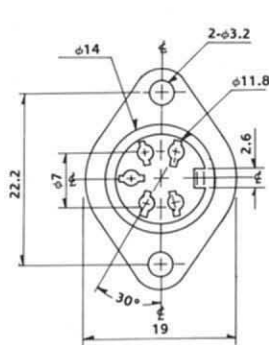
### LN-0505B P.C.B. ( $\phi 11$ )



**P.C.B. LAYOUT  
(BOTTOM VIEW)**

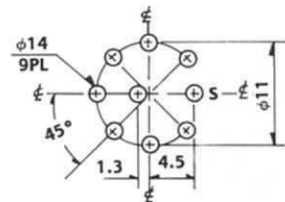
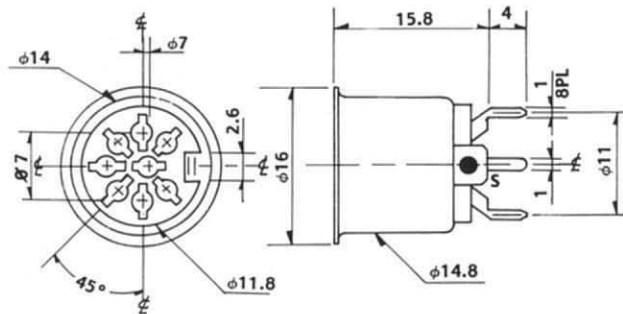
-003	-005	-015	-025	-006	-007	-008
	45° 	60° 	45° 	60° 	45° 	45° 

### LN-0505C (W/O GROUND) W/QUICK-LOCK



-003	-005	-015	-025	-006	-007	-008
	45° 	60° 	45° 	60° 	45° 	45° 

### LN-0506 P.C.B. ( $\phi 11$ )

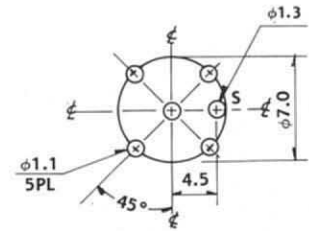
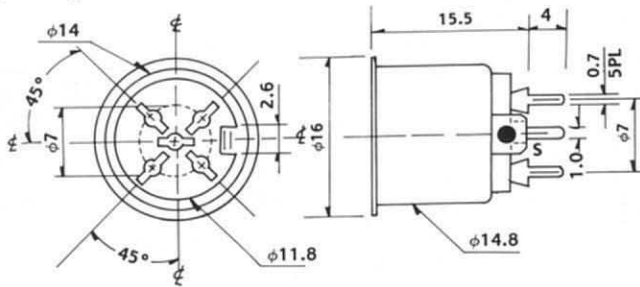


**P.C.B. LAYOUT  
(BOTTOM VIEW)**

-003	-005	-015	-025	-006	-007	-008
	45° 	60° 	45° 	60° 	45° 	45° 

# DIN JACK

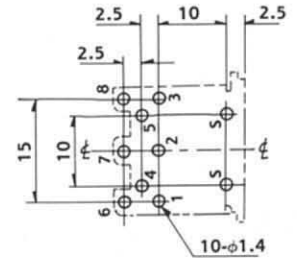
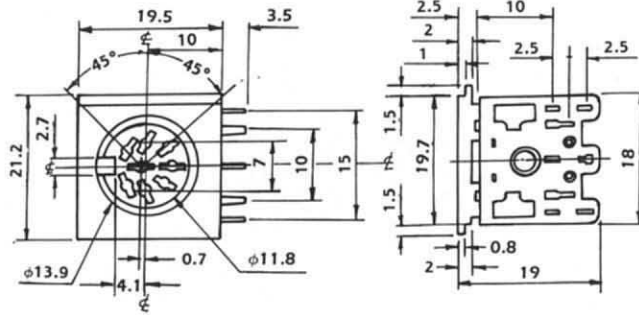
## LN-0506A P.C.B. ( $\phi 7.0$ )



**P.C.B. LAYOUT  
(BOTTOM VIEW)**

-003	-005	-015	-025	-006	-007	-008

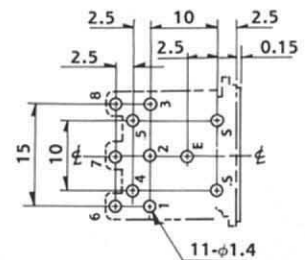
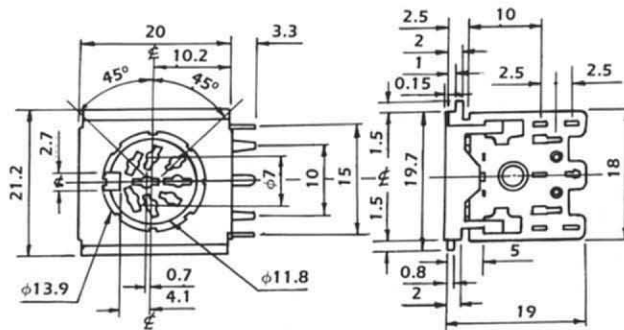
## LN-0507



**P.C.B. LAYOUT  
(BOTTOM VIEW)**

-4	-5	-6	-7	-8

## LN-0507A

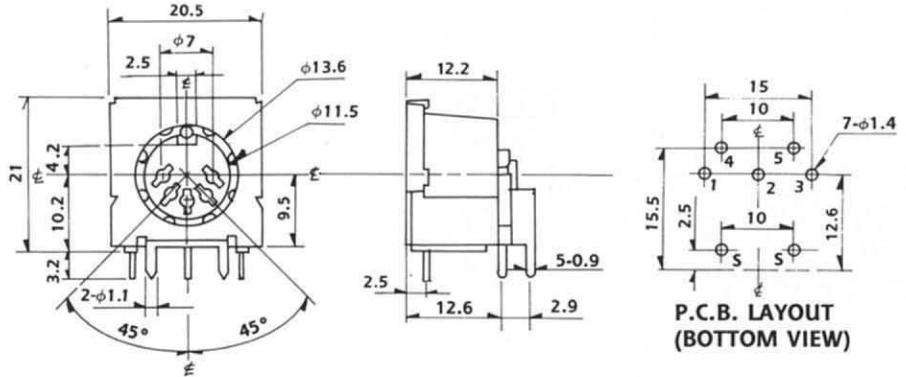


**P.C.B. LAYOUT  
(BOTTOM VIEW)**

-4	-5	-6	-7	-8

## DIN JACK

**LN-0507B**

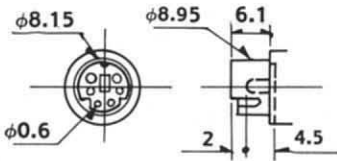


**MATING PLUG**

## MINI DIN JACK

### REQUIREMENTS

- CONTACT RESISTANCE: 30m $\Omega$  max. (INITIAL)
- INSULATION RESISTANCE: 100M $\Omega$  min. AT 500V DC.
- WITHSTANDING VOLTAGE: 500V AC FOR ONE MINUTE.
- SOLDERING HEAT TEST: 260 $\pm$ 5 $^\circ$ C FOR 5 $\pm$ 1 SECONDS.
- INSERTION FORCE: 0.5-4.5 KG.
- EXTRACTION FORCE: 0.4-3.5 KG.
- LIFE TIME: 5,000 CYCLES min.



**MATING PLUG**

## DIN JACK

### REQUIREMENTS

- CONTACT RESISTANCE: 30m $\Omega$  max. (INITIAL)
- INSULATION RESISTANCE: 100M $\Omega$  min. AT 500V DC.
- WITHSTANDING VOLTAGE: 500V AC FOR ONE MINUTE.
- SOLDERING HEAT TEST: 260 $\pm$ 5 $^\circ$ C FOR 5 $\pm$ 1 SECONDS.
- INSERTION FORCE: 0.5-5.0 KG.
- EXTRACTION FORCE: 0.5-5.0 KG.
- LIFE TIME: 5,000 CYCLES min.

