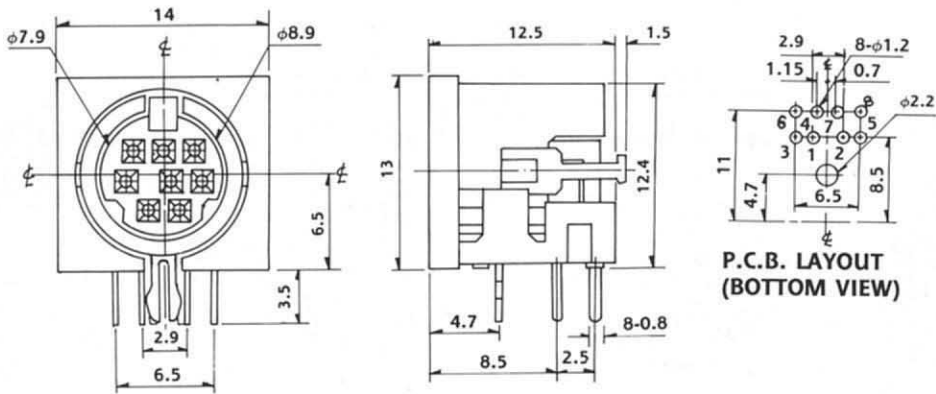
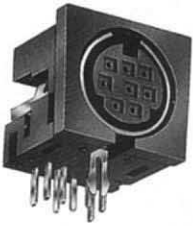


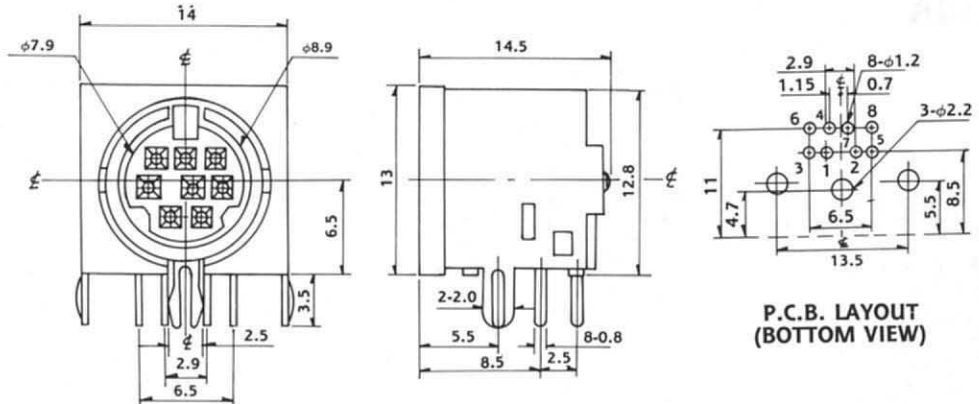
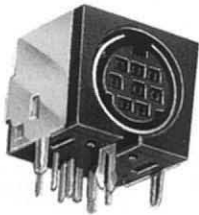
MINI DIN JACK

LNBO508



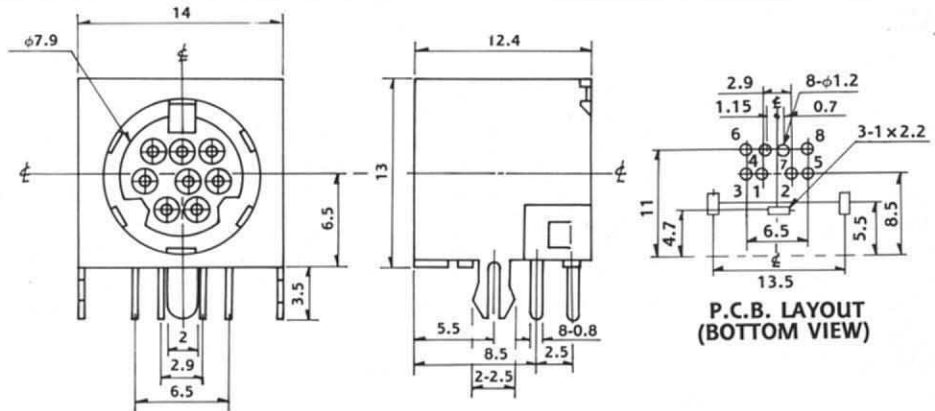
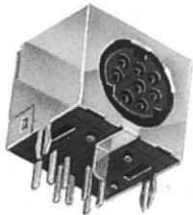
-3	-4	-5	-5B	-6	-7	-8	-8B	-9

LNBO508A



-3	-4	-5	-5B	-6	-7	-8	-8B	-9

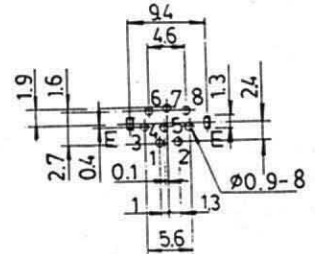
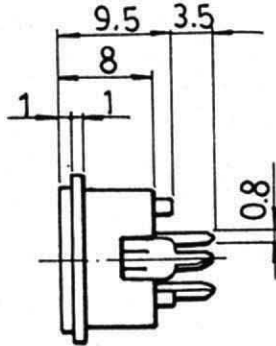
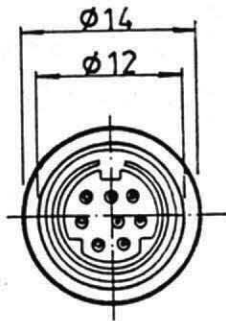
LNBO509



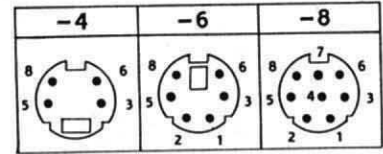
-4	-6	-8

MINI DIN JACK

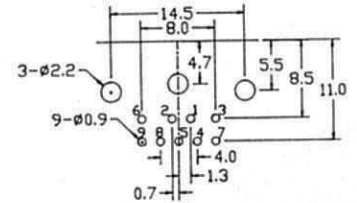
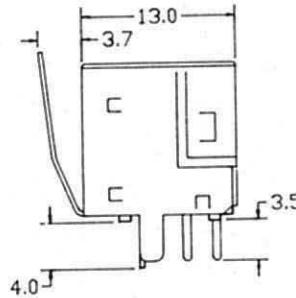
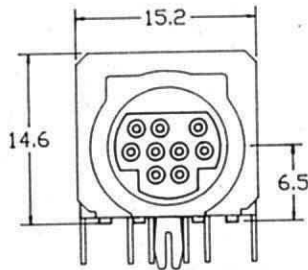
LNB0510



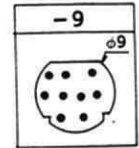
P.C.B. LAYOUT (BOTTOM VIEW)



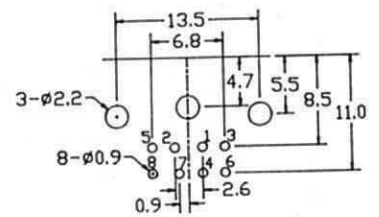
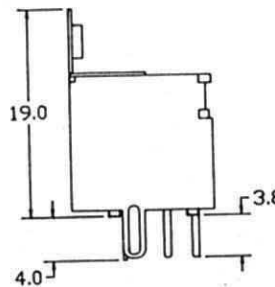
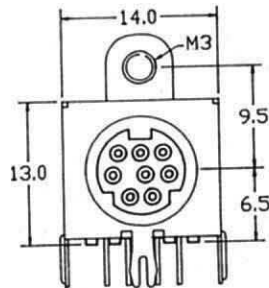
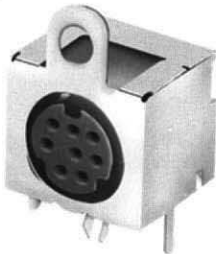
LNB0511A



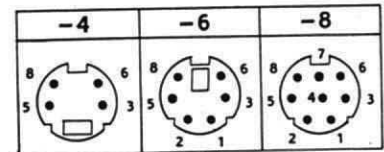
P.C.B. LAYOUT (BOTTOM VIEW)



LNB0512

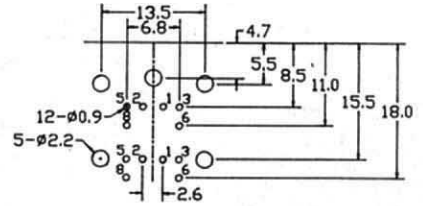
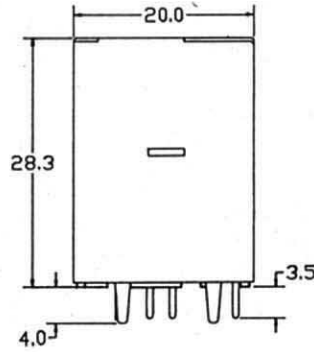
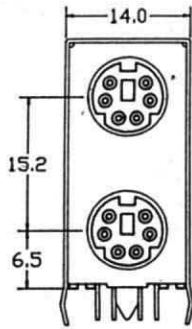
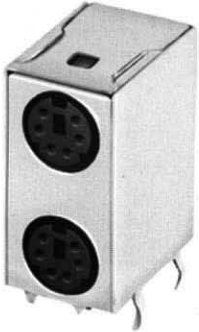


P.C.B. LAYOUT (BOTTOM VIEW)

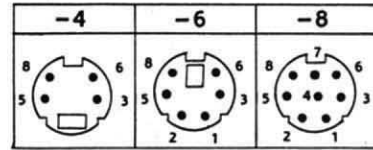


MINI DIN JACK

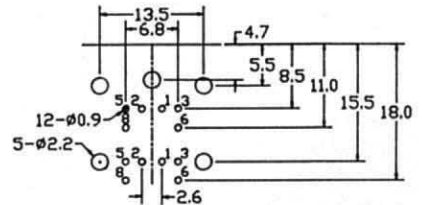
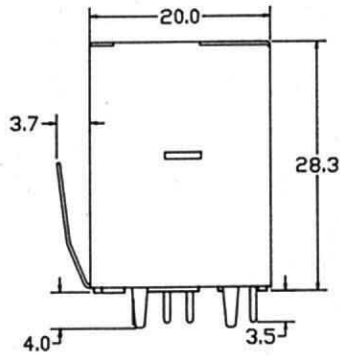
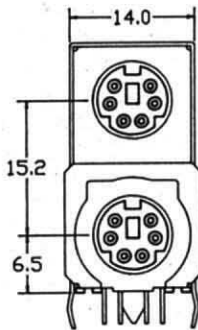
LNB0513



**P.C.B. LAYOUT
(BOTTOM VIEW)**



LNB 0513A



**P.C.B. LAYOUT
(BOTTOM VIEW)**

