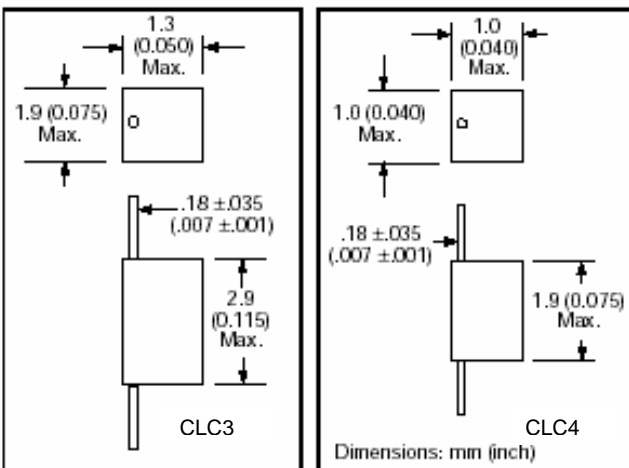
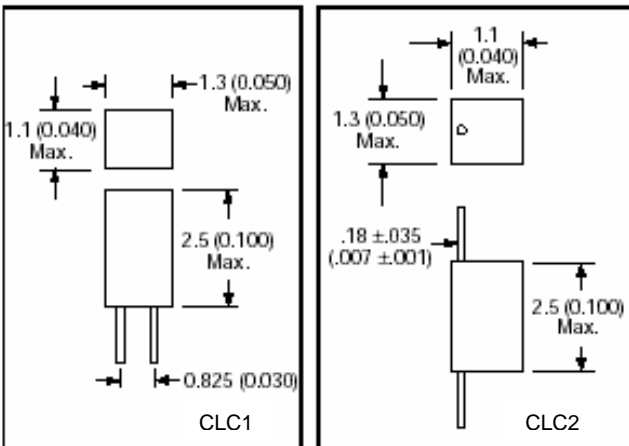
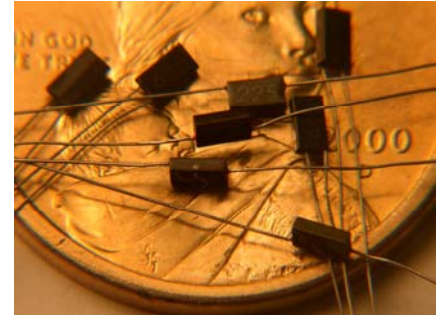


New Product



Type CLC-Miniature Ceramic Capacitor

The CLC series MLCC-Multilayer Ceramic Capacitor is available in four case sizes. The CLC2 is only 0.040" high by 0.050" wide by 0.100" long, the same size as the BREL Tantalum CLT "W" case size. This allows the lower capacitance value ceramic capacitors to fit into the same designs as the BREL tantalum capacitor's "W" case size. It uses the same solder coated pure nickel lead wire as our RMB16 and CLT series and is suitable for either soldering or welding. Axial or Radial Leads (CLC1 only).



Available Capacitance, Temperature Coefficient, and Voltage Range:

| CLC1 | CLC2 | CLC3 | CLC4 | Voltage |
|---------------------|--------------------|-----------------------------|---------------------|---------|
| X7R | X7R | | X7R | |
| 1000pFd to 0.022uFd | 1000pFd to 0.10uFd | 1.0uFd(X7R) to 2.2uFd(Y5V) | 1000pFd to 0.022uFd | 16VDC |
| | | 0.33uFd(X7R) to 1.0uFd(X7R) | | 10VDC |
| 0.033uFd to 0.10uFd | 0.15uFd to 1.0uFd | | 0.033uFd to 0.10uFd | 6.3VDC |

Body Color:
Gold or Black

Marking:
Three digit Capacitance Code-Two significant digits and multiplier.

Color Coded Capacitance Tolerance:
+-5%=Gold Dot
+-10%=Silver Dot

Packaging:
100 pcs per bag



BREL International
1621 West University Parkway
Sarasota, FL 34243



Phone: 941-355-9791
Sales: 800-237-4564
Fax: 941-355-1530
E-Mail: sales@breintl.com
Website: www.breintl.com
Issue: April-2002(Issue 2)



Type CLC-Miniature Ceramic Capacitor

Mechanical Specifications:

LL=Lead Length=34.9mm MINIMUM (1.625 inches)

Leads: Leads are solder coated pure nickel wire suitable for soldering or welding. Tested in accordance with MIL-STD-202, Method 2.11 the 0.010 inch diameter leads withstand a 1 lb. pull and 0.007 inch diameter leads and 8 oz. pull. All lead diameters withstand 5 rotations twist.

How to order the Type CLC-Capacitor, Leaded, Ceramic-MLCC

Example: CLC1X104K016AB

CLC1=Type and Size

TC: X=X7R, Y=Y5V

Value: Two Significant Digits and Multiplier

Tolerance: J=5%, K=10%, M=20%

Voltage: Actual Voltage (Three Digits) 6.3VDC as 6R3, 16VDC as 016, etc.

Lead Style: A=Axial, R=Radial

Pack: B=Bulk, R=Reel



BRELE International
1621 West University Parkway
Sarasota, FL 34243



Phone: 941-355-9791
Sales: 800-237-4564
Fax: 941-355-1530
E-Mail: sales@breleintl.com
Website: www.breleintl.com
Issue: April-2002(Issue 2)