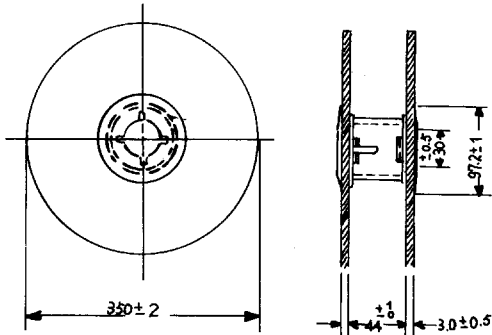
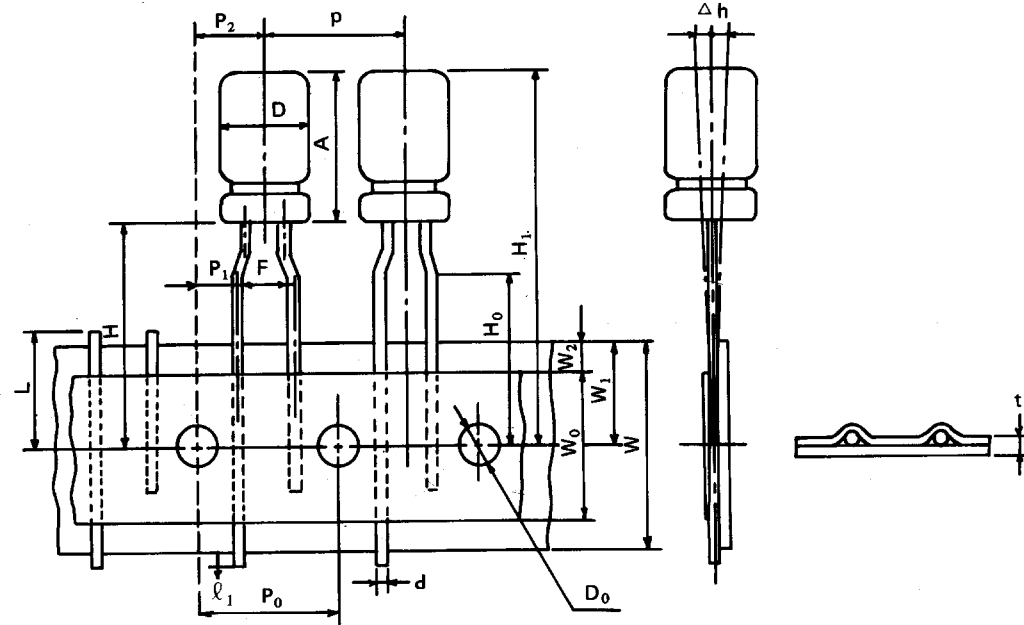


## Radial Tape & Reel Specifications

### ALUMINUM ELECTROLYTIC CAPACITORS

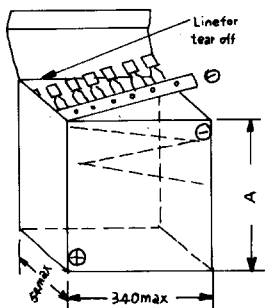


Dimensions: mm

D	5, 6, 8,	
A	12.5	
d	$\frac{0.5}{0.6}$	DIAMETER 5, 6 DIAMETER 8
P	12.7 ± 1.0	
P <sub>0</sub>	12.7 ± 0.3	
P <sub>1</sub>	3.85 ± 0.7	
P <sub>2</sub>	6.35 ± 1.3	
F	$5.0^{+0.6}_{-0.2}$	
Δh	0 ± 2.0	
W	$18.0^{+1.0}_{-0.5}$	
W <sub>0</sub>	12.5	
W <sub>1</sub>	$9.0^{+0.75}_{-0.5}$	
W <sub>2</sub>	3.0	
H	—	
H <sub>0</sub>	16.0 ± 0.5	
H <sub>1</sub>	32.25	
ℓ <sub>1</sub>	2.0	Lead wire length extending beyond tape.
D <sub>0</sub>	4.0 φ ± 0.3	
t	0.7 ± 0.2	
L	11.0	The maximum lead residue of cut defect component.

#### Packing & quantity

Dia. of capacitor (mm)	Quantity (pcs.)
5	1,200
6	1,000
8	800



#### Packing & quantity

Dia. of capacitor	Packing quantity	Dimension "A"
5 mm	2000 pcs.	250
6	2000	290
8	1000	250